



### Main

Range of Product	Modicon M171/M172
Product or Component Type	Communication module
Communication Port Protocol	LonWorks

### Complementary

Integrated connection type	LON wire crimp - twisted pair
Transmission rate	78 kbits/s
Adjustment	Pitch 3.81 mm
Electrical connection	Removable screw terminal block
Physical interface	90° insertion - 0.00 in <sup>2</sup> (2.5 mm <sup>2</sup> ) cable
Supply	Via base board M171P/M172P
Local signalling	For service 1 LED (red) for status 1 LED (green)
Product Compatibility	Logic controller M171 performance Logic controller M172 performance
Net Weight	0.17 Lb(US) (0.077 kg)

### Environment

Product Certifications	EAC CSA CE CURus
Marking	CE
IP Degree of Protection	IP20
Ambient Air Temperature for Operation	14...131 °F (-10...55 °C)
Ambient Air Temperature for Storage	-4...185 °F (-20...85 °C)
Relative Humidity	10...90 % without condensation

## Ordering and shipping details

Category	22537 - M171 / M172 HVAC CONTROLLERS
Discount Schedule	PC12
GTIN	03606480894909
Nbr. of units in pkg.	1
Package weight(Lbs)	5.64 Oz (160 g)
Returnability	No
Country of origin	IT

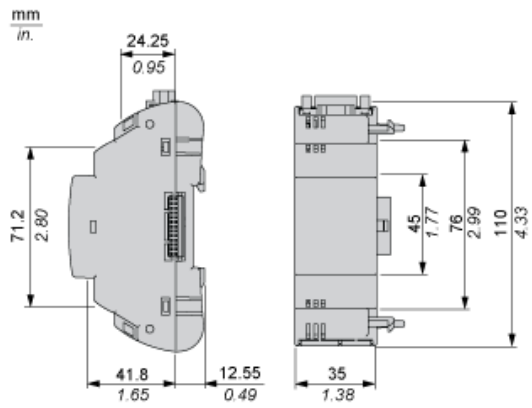
## Packing Units

Unit Type of Package 1	PCE
Package 1 Height	3.54 In (9 cm)
Package 1 width	4.92 In (12.5 cm)
Package 1 Length	5.24 In (13.3 cm)
Unit Type of Package 2	S01
Number of Units in Package 2	4
Package 2 Weight	29.49 Oz (836 g)
Package 2 Height	5.91 In (15 cm)
Package 2 width	5.91 In (15 cm)
Package 2 Length	15.75 In (40 cm)

## Offer Sustainability

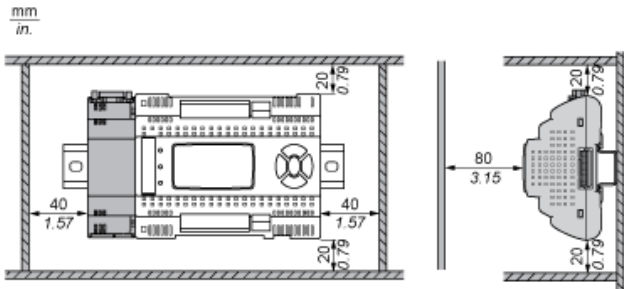
California proposition 65	WARNING: This product can expose you to chemicals including: Lead and lead compounds, which is known to the State of California to cause cancer and birth defects or other reproductive harm. For more information go to <a href="http://www.P65Warnings.ca.gov">www.P65Warnings.ca.gov</a>
REACH Regulation	<a href="#">REACH Declaration</a>
REACH free of SVHC	Yes
EU RoHS Directive	Pro-active compliance (Product out of EU RoHS legal scope) <a href="#">EU RoHS Declaration</a>
Mercury free	Yes
RoHS exemption information	<a href="#">Yes</a>
China RoHS Regulation	<a href="#">China RoHS Declaration</a>
WEEE	The product must be disposed on European Union markets following specific waste collection and never end up in rubbish bins.

Dimensions



Mounting and Clearance

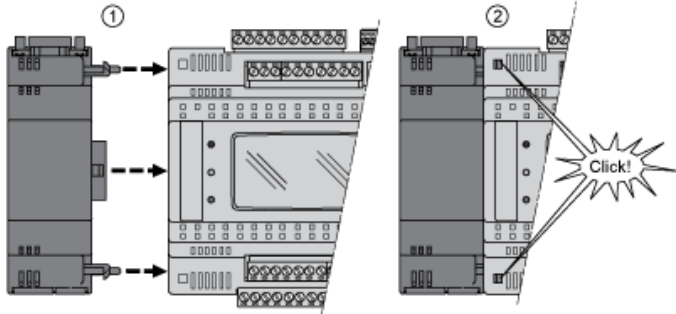
Clearance



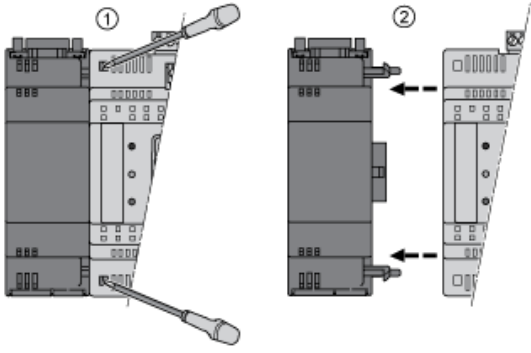
Misplacement



Mounting on Controller



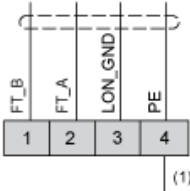
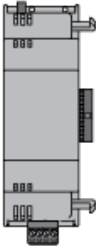
Dismounting



Connections and Schema

LonWorks Communication Module

TM171ALON



(1) PE to be connected externally to the protective earth.

Product Life Status : **Commercialised**